

Technical Datasheet

Product Code: PA130100RBK

Description: Right (& Left) Angled Rewirable IEC Lock+ Low Smoke Zero Halogen Appliance Outlet (Black)



General Information

Rating	10A Max / 250V~ (Europe & Australia) 15A Max / 250V~ (USA) 125V~ / 250V~ (Japan)
Materials	Outer Body & Chassis: Nylon (PA66) LSZH (RAL 9004 Signal Black) Cable Restraint: Nylon (PA66) Housing Screws & Cable Restraint Screws: Steel, Nickel Plated Lock Pivot Lever: Polycarbonate Terminal Block & Sliding Terminal: Brass Terminal Screws: Steel, Yellow Passivated Spring: Spring Steel Locking Blade: Spring Steel Zinc Plated Red Handle: Polycarbonate LSZH (RAL 3020 Traffic Light Red)
Terminal Capacity	3 Core 1.5mm ² Maximum, 2.5mmø Terminal Diameter
Torque Value Terminal Screws	0.4Nm, Strain Relief Clamping Screws; 0.3Nm
Dielectric Strength	1.5 kV Max
Withdrawal Force	> 100N
Ambient Operating Temperature	25°C
Flammability Rating	Equivalent to UL94V-0
Protection Class	Suitable for appliances with protection Class I according to IEC EN 61140

Features	Rewireable Housing can be 'flipped' to become an Up Angled Connector Fits any standard C14 outlet Anti-Vibrate Integral plug retention feature Easy pull handle Slotted and Cross head housing screws Appliance inlet suitable for cold conditions
-----------------	---

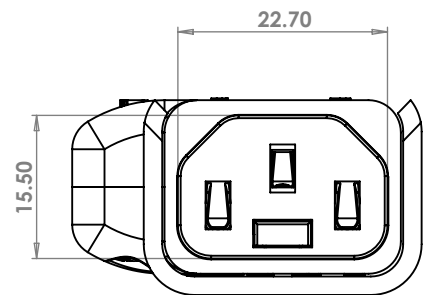
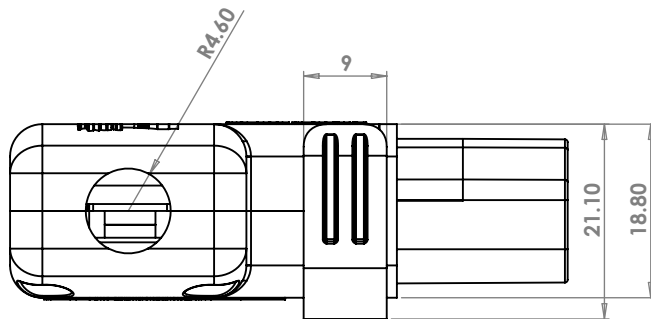
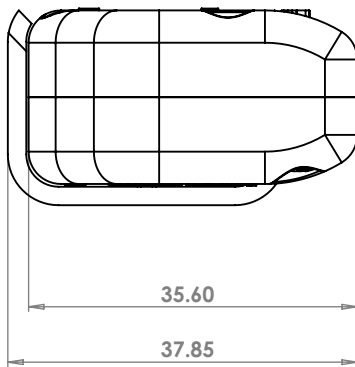
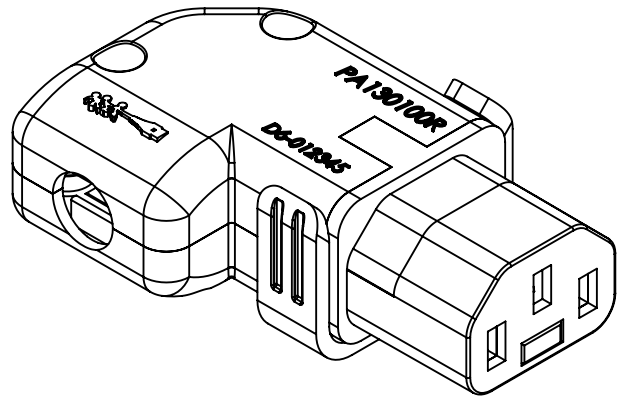
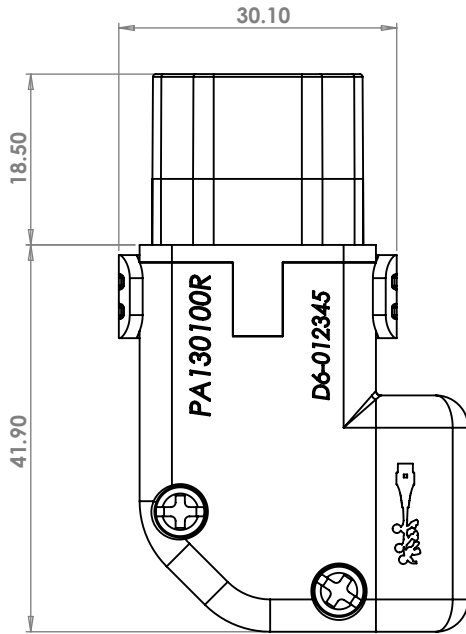
Standards	EN 60320-1: 2015 (KEMA-KEUR File: 35-102059) UL 60320-1 (UL File E475619) CSA C22.2 60320-1-11 (UL File E475619) AS/NZS 60320.1 (SAA File 151920) Appendix 4 Section 1, Section 6 and Appendix 10 Chapter 5 (File JET7270-43004-1001)
------------------	---



Technical Datasheet

Product Code: PA130100RBK

Description: Right (& Left) Angled Rewirable IEC Lock+ Low Smoke Zero Halogen Appliance Outlet (Black)



Product Code: PA130100DBK

Description: Down (& Up) Angled Rewirable IEC Lock+ Low Smoke Zero Halogen Appliance Outlet (Black)



General Information

Rating	10A Max / 250V~ (Europe & Australia) 15A Max / 250V~ (USA) 125V~ / 250V~ (Japan)
Materials	Outer Body & Chassis: Nylon (PA66) LSZH (RAL 9004 Signal Black) Cable Restraint: Nylon (PA66) Housing Screws & Cable Restraint Screws: Steel, Nickel Plated Lock Pivot Lever: Polycarbonate Terminal Block & Sliding Terminal: Brass Terminal Screws: Steel, Yellow Passivated Spring: Spring Steel Locking Blade: Spring Steel Zinc Plated Red Handle: Polycarbonate LSZH (RAL 3020 Traffic Light Red)
Terminal Capacity	3 Core 1.5mm ² Maximum, 2.5mmø Terminal Diameter
Torque Value Terminal Screws	0.4Nm, Strain Relief Clamping Screws; 0.3Nm
Dielectric Strength	1.5 kV Max
Withdrawal Force	> 100N
Ambient Operating Temperature	25°C
Flammability Rating	Equivalent to UL94V-0
Protection Class	Suitable for appliances with protection Class I according to IEC EN 61140

Features	Rewireable Housing can be 'flipped' to become an Up Angled Connector Fits any standard C14 outlet Anti-Vibrate Integral plug retention feature Easy pull handle Slotted and Cross head housing screws Appliance inlet suitable for cold conditions
-----------------	---

Standards	EN 60320-1: 2015 (KEMA-KEUR File: 35-102059) UL 60320-1 (UL File E475619) CSA C22.2 60320-1-11 (UL File E475619) AS/NZS 60320.1 (SAA File 151920) Appendix 4 Section 1, Section 6 and Appendix 10 Chapter 5 (File JET7270-43004-1001)
------------------	---



Technical Datasheet

Product Code: PA130100DBK

Description: Down (& Up) Angled Rewirable IEC Lock+ Low Smoke Zero Halogen Appliance Outlet (Black)

